

PSI COMPAKT DUO & TRIO HOUSE ENTRY

PRESSURE TIGHT
UP TO 5 BAR

EASY HANDLING

GAS AND PRESSING
WATER TIGHT

DOUBLE SEAL

FHRK
QUALITY



WWW.PSI-PRODUCTS.COM



APPLICATION

PSI annular space sealing system **Kompakt Duo & Trio** is ideal for sealing the wall penetrations of gas, water and waste water pipes as well as cable (taking into account the calculation bases and the on-site suitability of the product) lead-troughs against pressing and non-pressing water. By tightening the hexagon bolts the rubber is compressed by means of the pressure plates. In this way, a permanent sealing of the annular space between the wall and the pipe is achieved. The advantage is the use of one sealing system each, on the inside and outside of the building. This system can be disassembled any time needed.

TECHNICAL DATA

- Pressure plate material: S304 (S316 on request)
- Closed version: Standard
- Rubber thickness: 40 mm each
- Rubber material: EPDM (standard)
- Temperature range: EPDM -30 °C to +120 °C
- UV-resistance: EPDM (given)
- Shore hardness: EPDM standard 50 +/-5°
- NBR (on request)
- Temperature range NBR -30 °C to +70 °C
- UV-resistance: NBR (not given)
- Shore hardness: NBR 50 +/-5°

COMPAKT DUO

- Easy installation
- Overlaying large-diameter flange for better adjustment
- Double sealing -when tightening from one side, both elastomer are simultaneously compressed
- Sealing of the building inside and outside by a single sealing system
- Absolutely gas and pressure water tight up to 5 bar
- Stainless steel pressure plates (S304 or S316)
- EPDM (standard) and NBR (on request) available
- Special versions available on request



Wall opening (sleeve ID)	OD of Carrier pipe in mm		Length mm
	from	to	
80	25	32	240
80	25	32	300
100	25	32	240
100	25	32	300
100	32	40	240
100	32	40	300
100	46	56	240
100	46	56	300

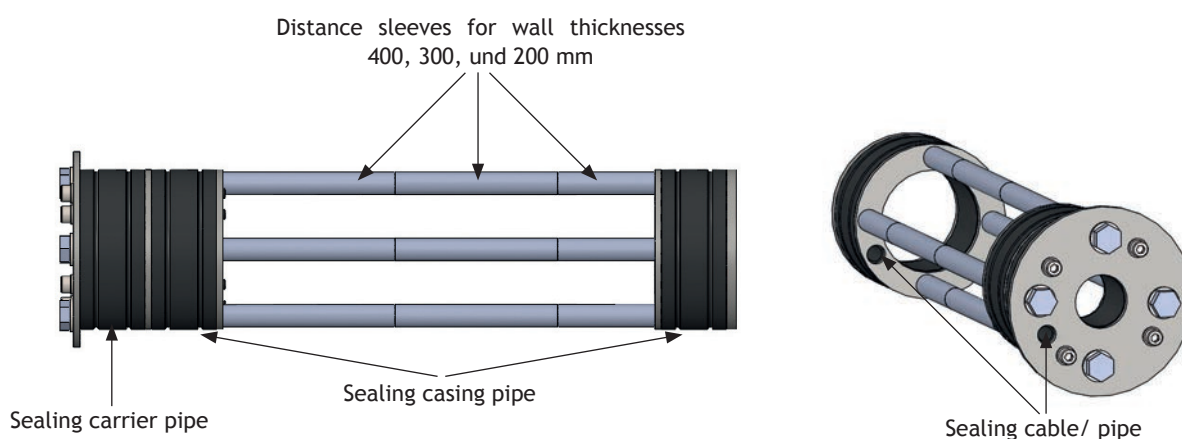
The values specified for the pressure tightness are valid at 23 °C.
For different, in particular higher permanent operating temperatures,
it might be necessary to fit an ejection safety device.

COMPAKT TRIO

- Stepped construction for sealing casing pipes DA 75 or 63 mm in the house entry. Subsequent replacement of the carrier pipes with existing casing pipe is guaranteed.
- For all common carrier pipe sizes OD 25, 32, 40, 50 und 63 mm
- Variably applicable for wall thicknesses 400/300/240 mm by individual removal of distance sleeves
- System component with large flange for installation on the inside of the building with sealing and closure flush to the wall on the inside and outside of the building.
- Additional option for optical fiber, cables or pipes with a DA of 7 to 10 mm
- Gas and water pressure-tight up to 5 bars

Wall opening ID	Casing pipe OD	Carrier pipe OD		Wall thickness	Optical fiber, Cabel, or pipe OD
		from	to		
mm	mm			mm	mm
100	63	18	25	240; 300; 400	7 - 10
100	63	25	32	240; 300; 400	7 - 10
100	63	32	40	240; 300; 400	7 - 10
100	63	42	50	240; 300; 400	7 - 10
125	75	18	25	240; 300; 400	7 - 10
125	75	25	32	240; 300; 400	7 - 10
125	75	32	40	240; 300; 400	7 - 10
125	75	42	50	240; 300; 400	7 - 10
125	75	54	63	240; 300; 400	7 - 10

The values specified for the pressure tightness are valid at 23 °C.
For different, in particular higher permanent operating temperatures, it might be necessary to fit an ejection safety device.a





PSI Products GmbH

Ulrichstrasse 25
72116 Mössingen / Germany

Phone: 0 049 (0)7473 3781 0
Fax: 0 049 (0)7473 3781 35
E-Mail: export@psi-products.de

www.psi-products.com